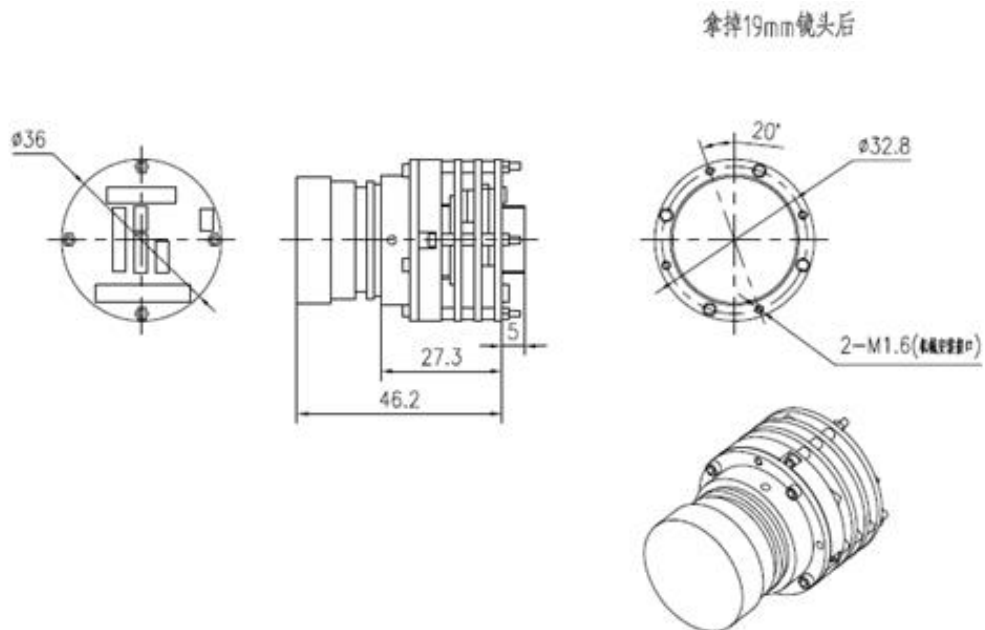


## Parameters

- 1.High image quality
- 2.Shutter free (NUC)
- 3.Pseudo color display
- 4.Various communication interfaces
- 5.Small in size, light in weight
- 6.USB\Ethernet output

## Dimensions



# Parameters

MODEL	T-OE	S-OE
Performance Index		
Detector	A-Si Un-cooled FPA detector	
Resolution	384*288	640*480
Pixel Size	17um	
Spatial Resolution (IFOV)	0.89mrad (with 19mm prime lens)	
Frame Frequency	50Hz	30Hz
Response Waveband	8~14um	
NETD	≤50mK (@25°C)	
MRTD	≤500mK (@Characteristic frequency)	
Image Adjustment		
Display Control	Automatically adjusts image brightness and contrast	
Color Palette	Black hot/white hot	
Pseudo Color	Yes (10 types)	
Cross Curve	Display/blank/shift	
Digital Zoom	1.0-4.0X (step 0.1)	
Image Processing	Non Uniformity Correction (no shutter)	
	Digital filtering noise reduction	
	Digital filtering enhancement	
Mirror Image	left-right/up-down/diagonal line	
Temperature Measurement		
TM Mode	Temperature bar (pseudo display) HT/LT/field center temperature	
Temperature Alarm	Alarming range 0°C~120°C	
Accuracy	±2°C	
Power Supply		
Range	DC 12V	
Power Consumption	<2.0w@25°C	
Interface		
Video Output	Analog	PAL/NTSC
	Digital	USB:YUY2
		Ethernet:H.264
		BT656
SCI	RS232	
Physical Characteristics		
Weight	<100g	
Size (without lens)	Φ49*38.3	
Lens	19mm (Standard Option)	
Environmental Adaptability		
Working Temperature	-40°C~60°C	
Storage Temperature	-40°C~65°C	